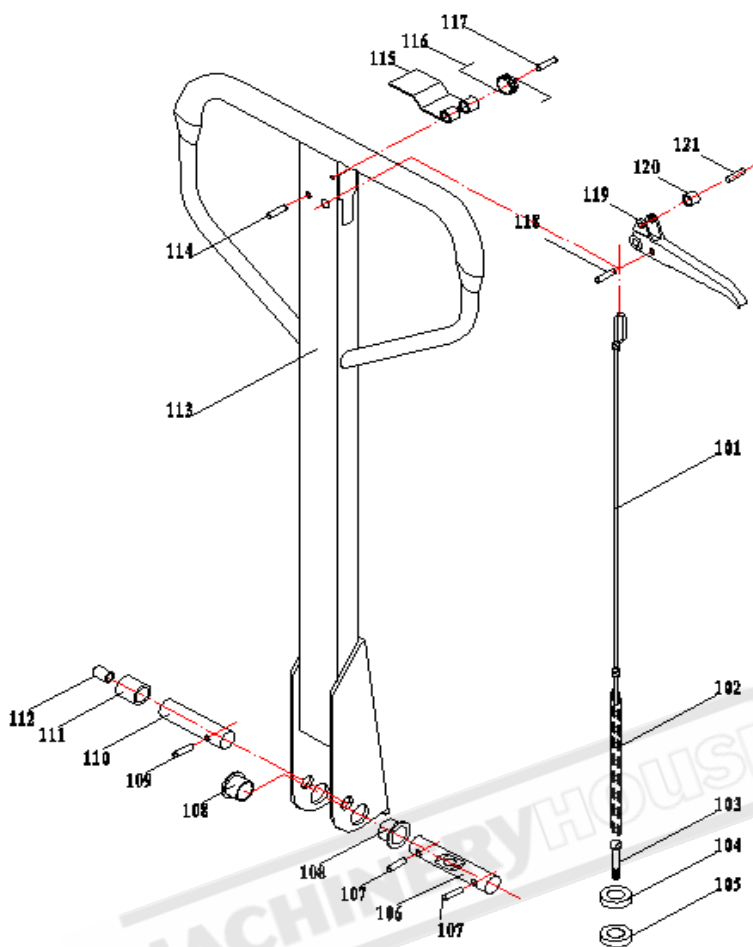
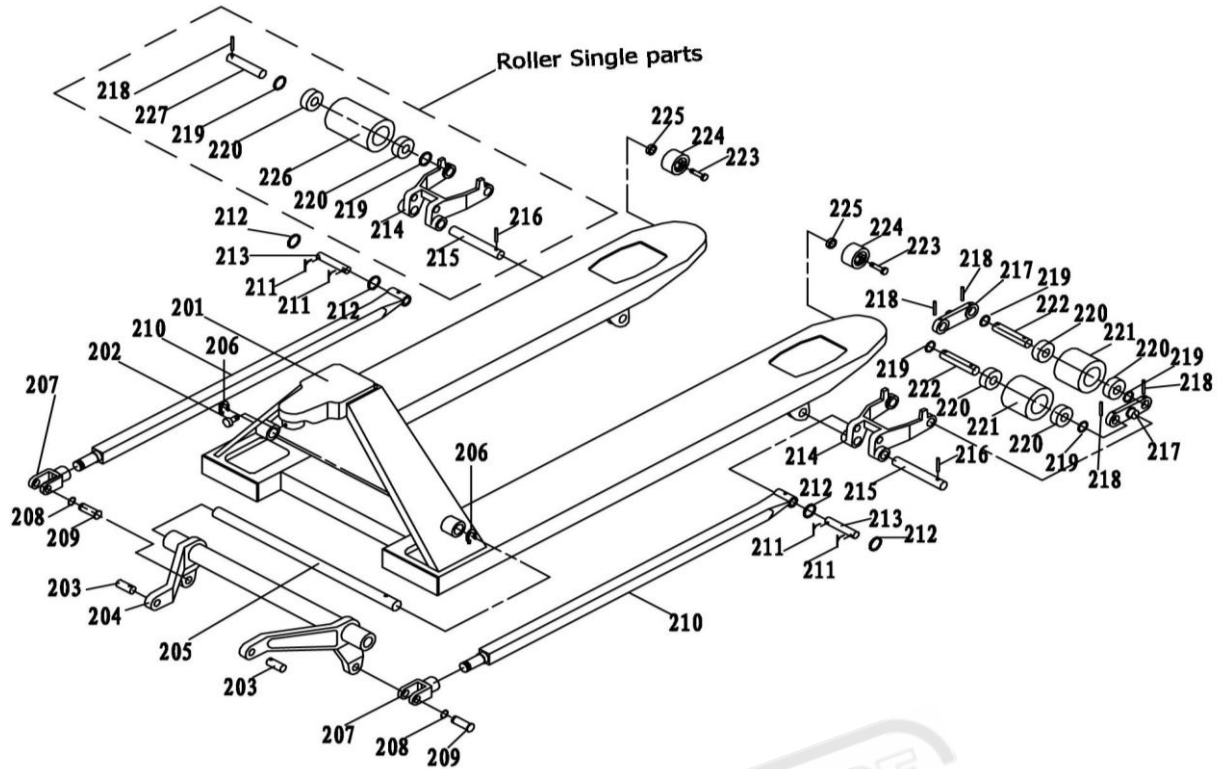


1. HANDLE ASS'Y



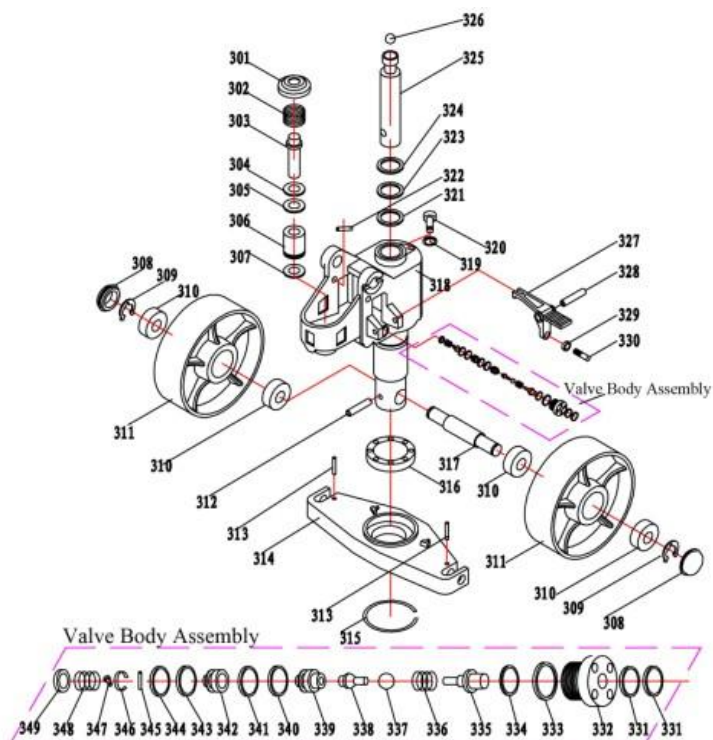
NO.	Description	Qty	Price USD	NO.	Description	Qty	Price USD
101	Pulling rod	1	\$2.5/pc	112	Roller Bush 1517165	1	\$0.5/pc
102	Chain 04B-1-21	1	\$1.0/pc	113	Handle	1	\$10/pc
103	Drop bolt M5X30	1	\$0.5/pc	114	Elastic cylindrical pin ϕ 6X30	1	\$0.2/pc
104	Hexagonal nut M5	1	\$0.5/pc	115	Return shrapnel	1	\$0.5/pc
105	Metalloid nut M5	1	\$0.5/pc	116	Return spring	1	\$0.5/pc
106	Positioning shaft	1	\$1.5/pc	117	Elastic cylindrical pin ϕ 4X30	1	\$0.2/pc
107	Elastic cylindrical pin ϕ 5X35	2	\$0.2/pc	118	Elastic cylindrical pin ϕ 4X10	1	\$0.2/pc
108	Spacer Bush 2023165	2	\$0.2/pc	119	Control handle	1	\$2.0/pc
109	Elastic cylindrical pin ϕ 4X20	1	\$0.2/pc	120	Roller handle	1	\$0.5/pc
110	Roller shaft	1	\$1.0/pc	121	Elastic cylindrical pin ϕ 4X16	1	\$0.2/pc
111	Roller	1	\$0.5/pc				

2. FORK FRAME ASS'Y



NO.	Description	Qty	Price USD	NO.	Description	Qty	Price USD
201	Fork frame	1	\$50/pc	219	Gasket $\phi 20 \times \phi 28 \times 2$	8	\$0.4/pc
202	Inner hexagonal screw M6X14	1	\$0.3/pc	220	Bearing 6204	8	\$1.2/pc
203	Connecting bearing	2	\$1.0/pc	221	Load Roller tandem $\phi 80 \times 70$	4	\$3.5/pc
204	Lever frame	1	\$16/pc	222	Roller Axle	4	\$1.7/pc
205	Lever shaft	1	\$4.6/pc	223	Hexagonal screw M6x45	2	\$0.3/pc
206	Elastic Rang	2	\$0.5/pc	224	Climbing wheel $\phi 50 \times 20$	2	\$1.0/pc
207	Push Rod Connector	2	\$2.0/pc	225	Metalloid nut M6	2	\$0.3/pc
208	Washer $\phi 16$	2	\$0.2/pc	Single Roller Parts			
209	Connecting Shaft	2	\$0.8/pc	214	Roller frame	2	\$5.5/pc
210	Push Rod	2	\$10/pc	215	Positioning Shaft	2	\$1.7/pc
211	Cotter Pin $\phi 3.2 \times 24$	4	\$0.1/pc	218	Elastic cylindrical pin $\phi 5 \times 35$	2	\$0.2/pc
212	Gasket $\phi 16 \times \phi 25 \times 2$	4	\$0.4/pc	219	Gasket $\phi 20 \times \phi 28 \times 2$	4	\$0.4/pc
213	Rod Connecting Shaft	2	\$1.0/pc	220	Bearing 6204	4	\$1.2/pc
214	Roller frame	2	\$5.5/pc	226	Load roller single $\phi 80 \times 93$	2	\$4.0/pc
215	Positioning Shaft	2	\$1.7/pc	227	Roller Axle	2	\$1.7/pc
216	Elastic cylindrical pin $\phi 5 \times 30$	2	\$0.2/pc	218	Elastic cylindrical pin $\phi 5 \times 35$	4	\$0.2/pc
217	Side Plate Roller double	4	\$1.5/pc				
218	Elastic cylindrical pin $\phi 5 \times 35$	8	\$0.2/pc				

3. HYDRAULIC OIL PUMP



NO.	Description	Qty.	Price USD	NO.	Description	Qty.	Price USD
301	Spring gland	1	\$1.0/pc	326	Steel ball $\phi 19$	1	\$0.3/pc
302	Spring	1	\$1.5/pc	327	Pedal control	1	\$1.5/pc
303	Pump Plunger	1	\$2.5/pc	328	Elastic cylindrical pin $\phi 8 \times 52$	1	\$0.2/pc
304	Dust ring DHS18	1	\$0.6/pc	329	Nut M8	1	\$0.5/pc
305	Sealing ring UHS18	1	\$0.6/pc	330	Fasten screw M8X20	1	\$0.5/pc
306	Small pump	1	\$3.3/pc		Valve Body Assembly	set	\$10/pc
307	Copper sheet	1	\$0.5/pc	331	O-ring $\phi 8 \times 1.8$	2	
308	Dust cover	2	\$0.4/pc	332	Copper Nut	1	
309	Rand	2	\$0.5/pc	333	O-ring $\phi 26 \times 2.4$	1	
310	Bearing 6204	4	\$1.2/pc	334	O-ring $\phi 10 \times 1.8$	1	
311	Wheel $\phi 180 \times 50$	2	\$4.5/pc	335	Rod	1	
312	Elastic Pin $\phi 8 \times 50$	1	\$0.2/pc	336	Spring	1	
313	Elastic Pin $\phi 5 \times 30$	2	\$0.2/pc	337	Steel ball $\phi 7$	1	
314	Bearing Plate	1	\$9.5/pc	338	Valve core	1	
315	Check Ring $\phi 55$	1	\$0.5/pc	339	Connecting Shaft	1	
316	Ball Bearing 51111	1	\$3.0/pc	340	Notched Ring 16x20x1.5	1	
317	Wheel Shaft	1	\$3.5/pc	341	O-ring $\phi 20 \times 2.4$	1	
318	Pump Body	1	\$35.0/pc	342	Valve Body	1	
319	Bonded Washer	1	\$0.5/pc	343	Notched Ring 14x18x1.5	1	
320	Inner hexagonal screw M8X10	1	\$0.3/pc	344	O-ring $\phi 18 \times 2.4$	1	
321	Seal ring UHS35	1	\$1.0/pc	345	Elastic cylindrical pin $\phi 2.5 \times 4$	2	
322	Limit Rod	1	\$0.8/pc	346	Leaf Spring	1	
323	O-ring 35x3.55	1	\$0.5/pc	347	Cross Recess Head Screw M2	1	
324	Dust ring DHS35	1	\$0.7/pc	348	Spring	1	
325	Piston rod $\phi 35$	1	\$9.0/pc	349	Gland	1	